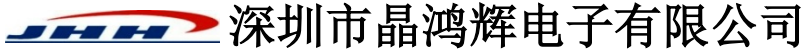


2.5x2.0 SMD VCTCXO



深圳市晶鸿辉电子有限公司

深圳市福田区福虹路世贸广场裙楼 4 楼

网址: <http://www.jhhdz.com>

电话: (755) 8365 1619

传真: (755) 8387 6331

QQ: 40395117

邮箱: sz_ysdz@163.com

产品规格书 SPECIFICATION

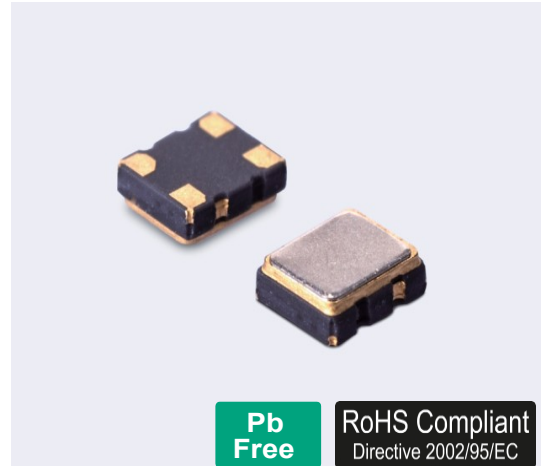
标题 Title: 石英晶体温补振荡器规格书

FEATURE

- Temperature Stability: $\pm 0.5 \text{ ppm} \sim \pm 2.0 \text{ ppm}$.
- Operating Temperature Range: $-30^\circ\text{C} \sim 85^\circ\text{C}$.
- Supply Voltage: 1.8V Typ./2.8V Typ./3.0V Typ.
- Voltage Control Function Available.

APPLICATION

- GPS, WiMAX, Cellular and Wireless Communications.



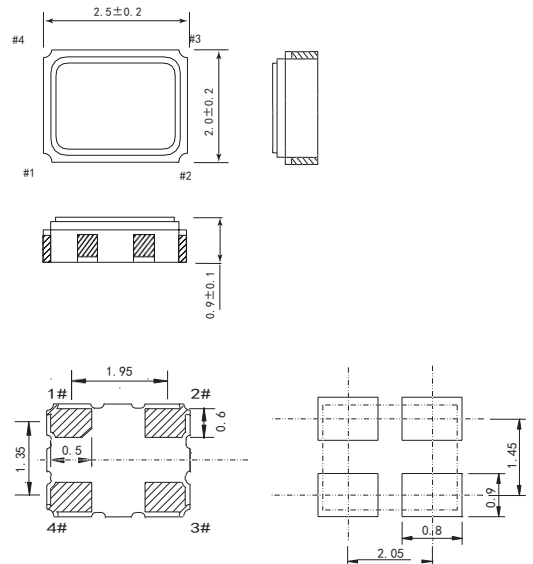
Pb Free

RoHS Compliant
Directive 2002/95/EC

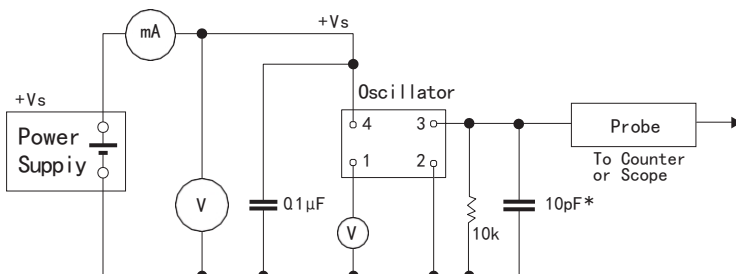
Electrical Characteristics 技术指标

型号	Holder Type	VC-TCXO	TCXO
频率范围	Frequency Range	13.000 Mhz - 52.000 Mhz	
典型频点	Typical Frequency	16.367667 Mhz/16.368 Mhz/16.369 Mhz 19.2 Mhz/26Mhz/38.4Mhz	
电源电压	Supply Voltage	1.8 \pm 0.1V, 2.8V \pm 5%, 3.0 \pm 5% (电源电压范围: 1.7V~3.3V)	
频率偏差	Frequency Tolerance	$\pm 2.0 \text{ ppm Max}$ (at 25 $^\circ\text{C}$ after 2 reflows)	
频率对温度变动特性	Frequency Vs. Temperature	$\pm 0.5 \text{ ppm} / \pm 2.0 \text{ ppm}$	
频率对负载变动特性	Frequency Vs. Load	$\pm 0.2 \text{ ppm Max.}$	
频率对电源电压特性	Frequency Vs. Supply Voltage	$\pm 0.2 \text{ ppm Max.}$	
功耗	Current Consumption	2.0mA Max.	
频率控制范围	Auto Frequency Control Range	$\pm 8 \text{ ppm} \sim \pm 15 \text{ ppm}$	—
工作温度范围	Operating Temperature Range	$-30^\circ\text{C} \sim +85^\circ\text{C}$	
保存温度范围	Storage Temperature Range	$-40^\circ\text{C} \sim +85^\circ\text{C}$	
输出负载	Output Load	10K Ω // 10 pF	
相位噪声	Phase Noise	-130dBc/Hz at 1KHz offset	
老化	Aging	$\pm 1 \text{ ppm Max}$	

Mechanical Dimensions 外型尺寸



Test Circuit (测试电路)



脚位	脚位连接 Connection	
PIN	VC-TCXO	TCXO
1	Vc	N. C.
2	GND	
3	OUT	
4	Vcc	

※Note: 0.01µF bypass capass capacitor should ben placed between Vcc (PIN4) and GND (PIN2) to Minimize power supply line noise.