

# FULL SIZE(14PIN) OSCILLATOR

**JHH** 深圳市晶鸿辉电子有限公司

深圳市福田区福虹路世贸广场裙楼4楼 网址: <http://www.jhhdz.com>

電話: (755) 8365 1619 傳真: (755)8387 6331 QQ: 40395117 郵箱: sz\_ysdz@163.com

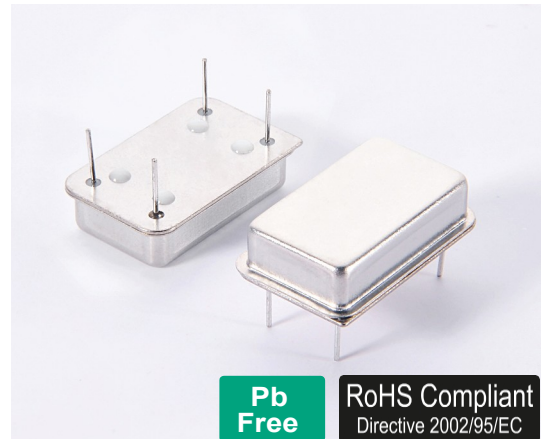
## 产品规格书 SPECIFICATION

### FEATURE

- All metal welded package.
- Broad frequency range from 0.25Mhz to 180MHz.
- Built-in C-MOS IC with tri-state function.
- 5V and 3.3V supply model available.
- Pb-free and RoHS/Green compliant.

### APPLICATIONS

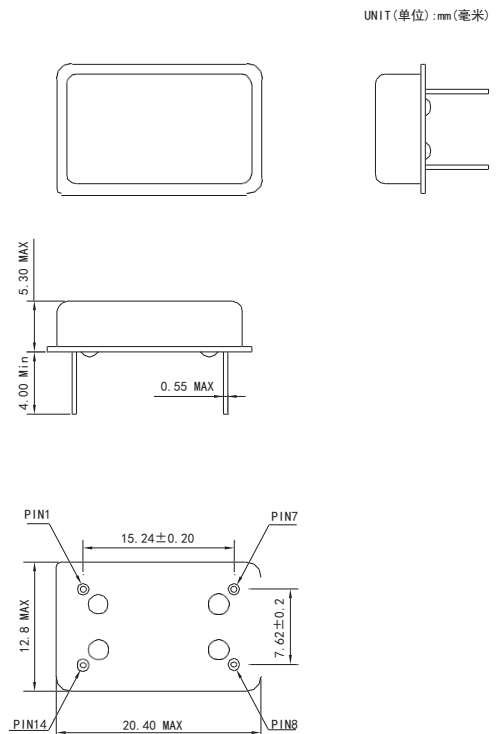
- Ideally suited designed for use in monitor, computers, wireless lan card & wire lan card, CD-PLAYER, HDD, Work station.



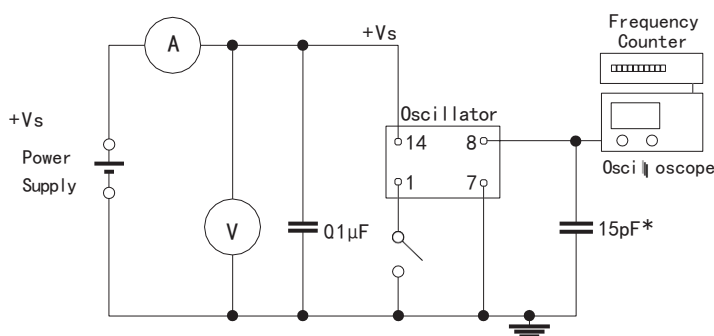
### •Electrical Specifications 电气参数

型号	Holder Type	FULL SIZE (14PIN) OSCILLATOR
频率范围	Frequency Range	1.000 Mhz to 100.000 Mhz
总频差	Frequency Stability	±25ppm to ±50ppm
输入电压	Supply Voltage	5.0V or 3.3V ±10%
工作温度范围	Operating Temperature Range	-20°C - +70°C / -40°C - +85°C
储存温度范围	Storage Temperature Range	-40°C - +85°C/-55°C - +125°C
占空比	Symmetry (Duty Cycle)	40/60 Standard
输出	Output Load 5.0 V	10 TTL or 15pF Hcmos
	Output Load 3.3 V	10 TTL or 15pF Hcmos
消耗电流	Current Consumption 5.0V (15pf only)	1.000Mhz - 35.999Mhz=25mA max 36.000Mhz - 69.999Mhz=60mA max 70.000Mhz - 100.000Mhz=80mA max
	Current Consumption 3.3V (15pf only)	1.000Mhz - 35.999Mhz=20mA max 36.000Mhz - 69.999Mhz=40mA max 70.000Mhz - 100.000Mhz=60mA max
上升/下降时间	Rise/Fall Time	5 nS max

### •Mechanical Dimensions 外型尺寸



### •Test Circuit (测试电路)



※Notes:

N/C: If the product does not contain Tri-state function, no matter how PIN1 connected, the product is working properly.

Tri-state: PIN 1 connected to Vdd or floating, the product is working properly; connected to GND, stops working.

PIN	FUNCTION
1	N/C or Tri-state
7	Ground
8	Output
14	Vdd