

SMD Tuning Fork Crystal Resonators / kHz Band Crystal Resonators

DST410S



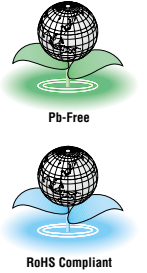
Actual size

■ Features

- 4115 size miniature and lightweight SMD tuning fork crystal resonator with a low profile of 0.75mm.
- A ceramic package providing high precision and reliability.

■ Applications

- Mobile communications, PDA, wave clock, digital appliance.

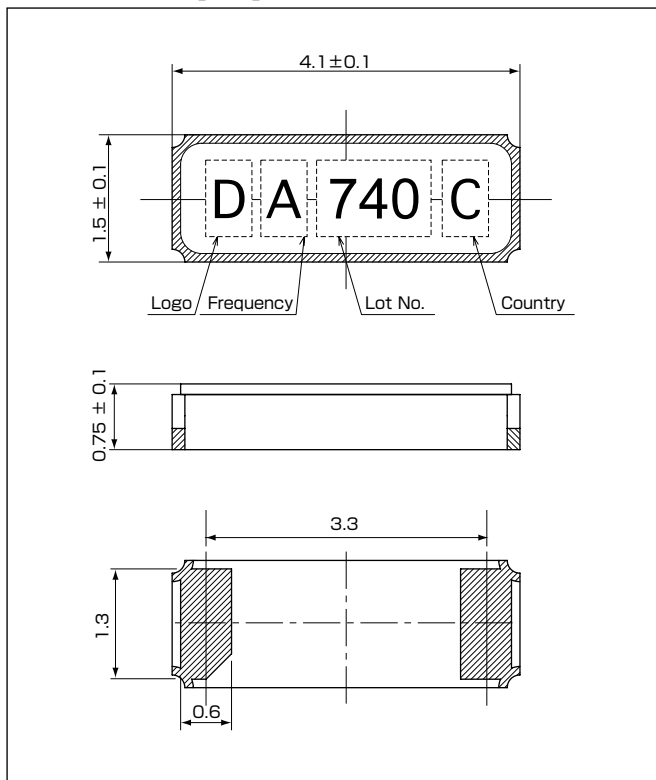


■ Standard Specification

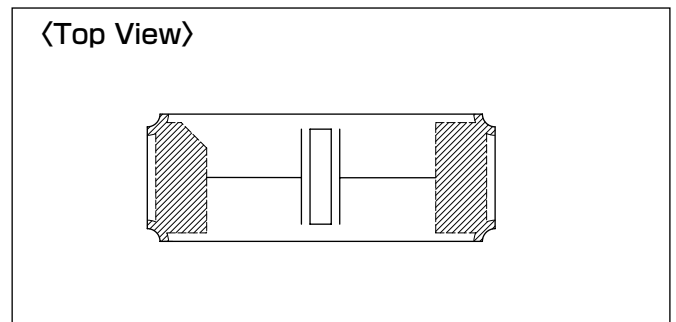
Item	Type	DST410S
Frequency Range		32.768kHz
Load Capacitance		9pF, 10pF, 12.5pF
Drive Level		0.2μW(1.0μW max.)
Frequency Tolerance		$\pm 20 \times 10^{-6}$, $\pm 30 \times 10^{-6}$, $\pm 50 \times 10^{-6}$, $\pm 100 \times 10^{-6}$ (at 25°C)
Series Resistance		80kΩ max.
Turnover Temperature		+25°C±5°C
Parabolic Coefficient		$-0.04 \times 10^{-6}/^{\circ}\text{C}^2$ max.
Operating Temperature Range		-40~+85°C
Storage Temperature Range		-40~+85°C
Shunt Capacitance		1.3pF Typ.
Packing Unit		3000pcs./reel(φ180)

Consult our sales representative for other specifications.

■ Dimensions[mm]



■ Internal Connections



■ Recommended Land Pattern

[mm]

